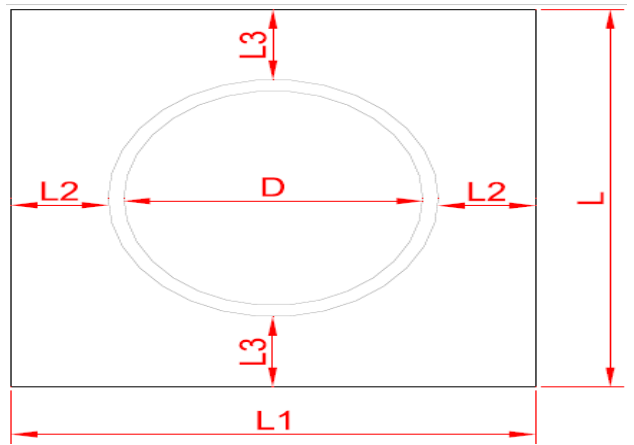
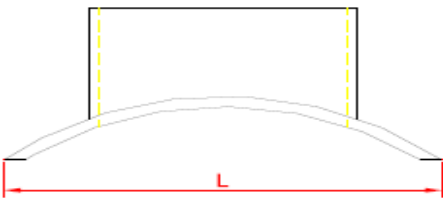
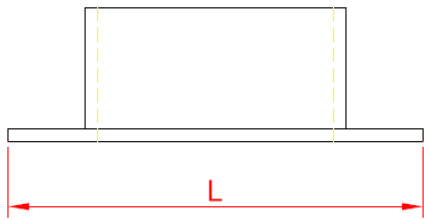
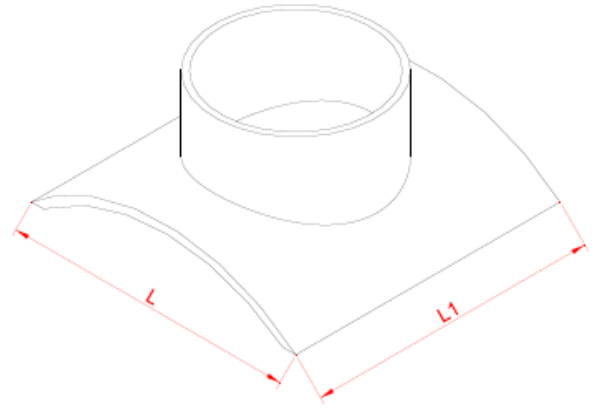
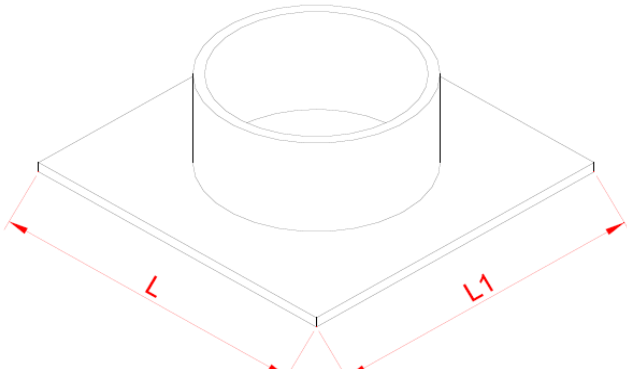


FLAT & ROUND TYPE



FLAT TYPE

Nominal size	L	L1	L2	L3	I.D (Ø)		T
	Standard	Standard	Standard	Length	Length	Allowable error	Standard
50A	147	147	40	40	60.35	±0.3	4.0
75A	177	177	45.5	45.5	89.45	±0.3	4.0
100A	205	205	38.5	38.5	114.55	±0.35	6.0
125A	250	250	45	45	140.70	±0.4	5.5
150A	280	280	57.5	57.5	165.85	±0.45	6.0
200A	335	335	57	57	216.5	±0.7	7.0
250A	386	386	56.5	56.5	267.5	±0.9	9.0

- Unit: mm
- Base plate: 6T
- Thickness tolerance ± 0.5 (our production standard)