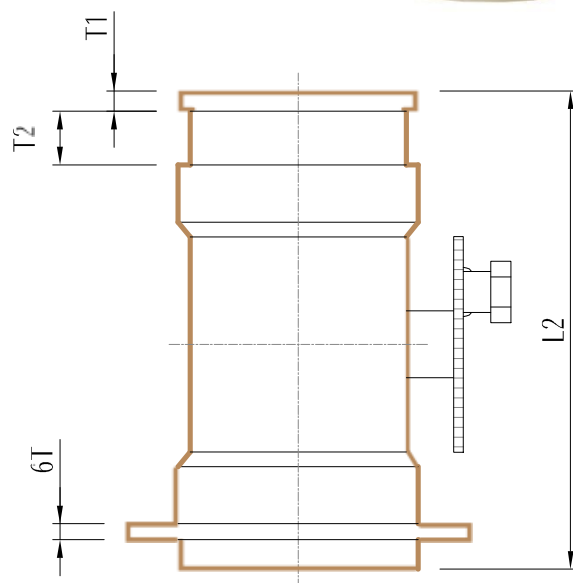
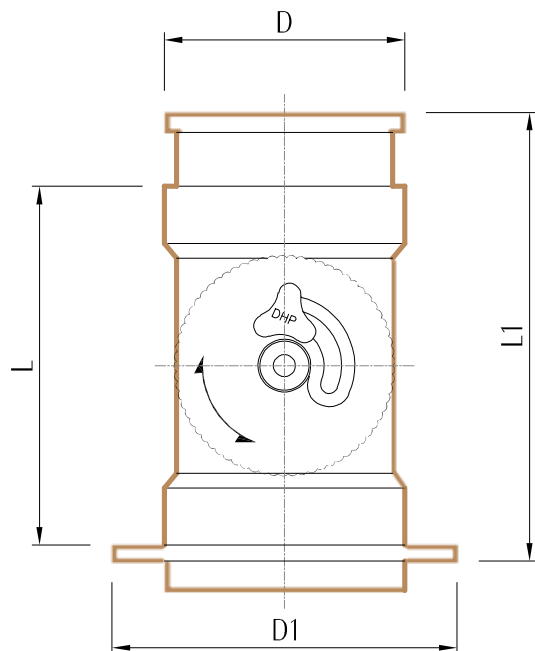


MF FLANGE TYPE



Nominal size	D	D1	L	L1	L2	T1	T2
	Standard	Standard	Length	Length	Length	Length	Length
100A	130	176	177.5	211.5	221.5	12	16.0
150A	180	228	207	241.0	251.0	12	16.0
200A	240	279	254	288.5	298.0	12	16.0

- Unit: mm
- Allowable error : KS M3410 application
- Thickness tolerance ± 0.5 (our production standard)